

**Description**

Microcontroller operated Flow Meter to monitor and display flow rates and temperature. Once correctly adjusted it can also be used for mass flow measurements. Factory preset for air and water.



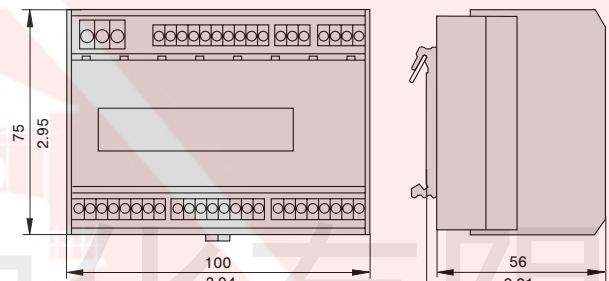
FC01  
rail-mounted version      front panel mounted version      surface mounted version

**Ordering information**

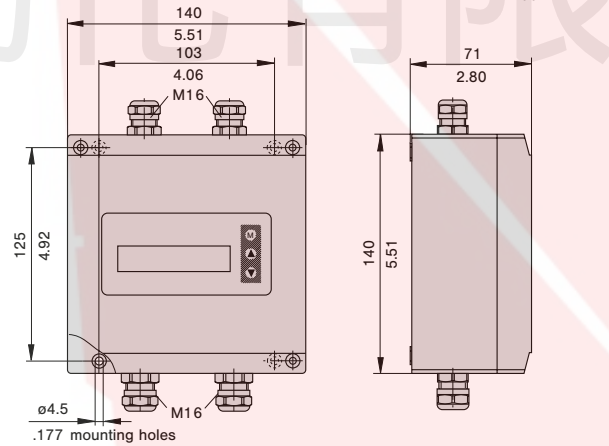
- Menu driven (keypads)
- LC display (2 x 16 digits) of:
  - actual flow velocity, volume flow, temperature
  - bargraph status indication of limit contacts, actual flow rate/quantity or temperature
  - directions for parameter assignment, configuration, diagnosis and error correction
  - base value indication
- Two scalable analogue outputs
- Minimum/maximum memory of flow rate and temperature
- Two freely selectable limit contacts
- Quantity-related pulse output
- Versions for rail, front panel and surface mounting

**Dimensions**

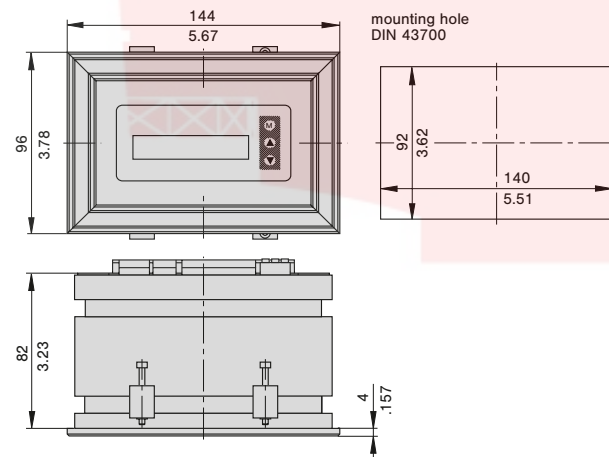
**FC01 (rail-mounted housing)**



**FC01-FH (surface mounted housing)**



**FC01-ST (front panel mounted housing)**



**Bestellnummernschlüssel FC01**

<b>Type</b>	
<b>FC01</b>	Flow Meter, in rail-mounted housing
<b>FC01-FH</b>	Flow Meter, in surface mounted housing (IP65)
<b>FC01-ST</b>	Flow Meter, in front panel mounted housing (IP65)
<b>Input voltage</b>	
<b>U1</b>	DC 19 ... 32 V
<b>Signal outputs</b>	
<b>R2</b>	2 relay outputs (2 limit values)
<b>T4</b>	4 transistor outputs (2 limit values + 2 status or 2 limit values + 1 status + 1 pulse output)
<b>Analogue outputs</b>	
<b>V1</b>	0/1- 5 V
<b>V2</b>	0/2-10 V
<b>C1</b>	0/4-20 mA (self-powered, physically isolated)
<b>Specification of medium</b>	
<b>xxx</b>	
FC01 - U1 R2 V1 - ...	ordering example

This is a metric design and millimeter dimensions take precedence ( mm / inch )