

Description

Thread-mounted Ex approved calorimetric monitoring head for Flow Meter FC01-Ex. For use in hazardous areas in equipment group II, category 1 (zones 0 and 20).

Features

- Medium temperature -40 ... +75 °C/-40 ... +167 °F
- Material of monitoring head:
 - stainless steel 1.4571
 - Hastelloy C4 2.4610
 - Titanium G7 3.7235

Ordering information

Type No.	Description
CST-Ex	Thread-mounted monitoring head with calorimetric sensors
Process connection	
01	thread size G1/2A
03	thread size 1/2"NPT
Medium	
A	air
W	water
S	other media, e.g. oil (please enquire)
Material of areas exposed to medium	
M1	stainless steel 1.4571 (standard)
M2	Hastelloy C4 2.4610
M6	Titanium G7 3.7235
Length of shank/thread	
L08	27.5 mm/1.08 in. (standard)
L10	36 mm/1.42 in.
Electrical connection	
E20	round connector with tinned contacts
Certification	
T5	approval to EC directive 94/9/EG (ATEX 100 a) *)
Specification of medium	
xxx	
CST-Ex - 01 W M1 L08 E20 T5 - ...	ordering example

*) for detailed information please see section 0.

Thread-mounted calorimetric monitoring head



CST-Ex...

EC-type-examination Certificate to EN 60079-0: 2006, EN 60079-11: 2007, EN 61241-0: 2006, EN 61241-11: 2006 and EN 1127-1: 2007 type of protection

II 1/2 G Ex ia IIC T4
II 1 D Ex iaD 20 T130°C IP67

Technical data

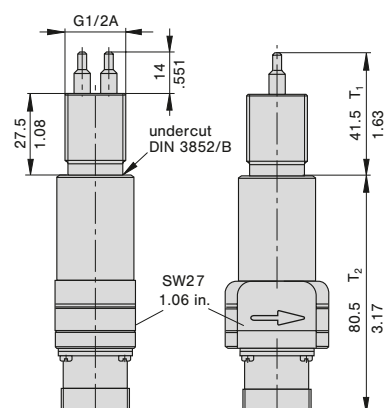
Type of head	thread-mounted
Thread/rated dia.	G1/2A, 1/2" NPT
Length of shank	27.5 mm/1.08 in., 36 mm/1.42 in.
Length of sensor	14 mm/0.55 in.
Suitable for	all media, depending on the resistance of material and Ex approval (ignitable media: see Ex approval)
Temperature range (medium + monitoring head zone T ₁)	-40 ... +75 °C/-40 ... +167 °F
Temperature range (monitoring head zone T ₂)	-30 ... +75 °C/-22 ... +167 °F
Pressure resistance ⁽¹⁾	100 bar/1450 psi
Degree of protection ⁽²⁾	IP67
Material	stainless steel 1.4571/AISI 316 Ti Hastelloy C4 2.4610 Titanium G7 3.7235
Connector	copper tin (CuZn)
Cable to electronic control unit	LIYCY 4 x 2 x 0.75 mm ² (AWG 18), light blue

⁽¹⁾ Admissible operating pressure to DIN 2401, measured at max. temperature (= max. medium temperature).

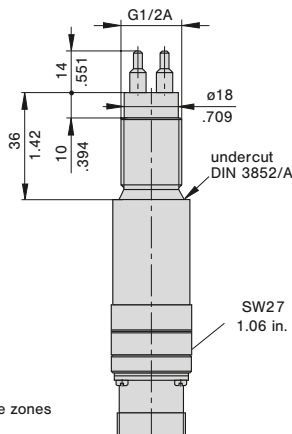
⁽²⁾ with mating connector

Dimensions

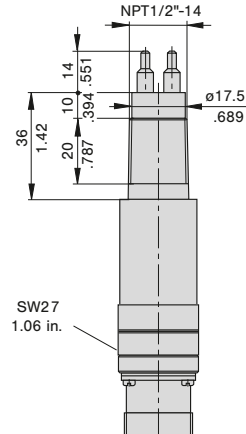
CST-Ex-01xxxL08xxx



CST-Ex-01xxxL10xxx



CST-Ex-03xxxL10xxx



T₁, T₂ - temperature zones

This is a metric design and millimeter dimensions take precedence ($\frac{mm}{inch}$)