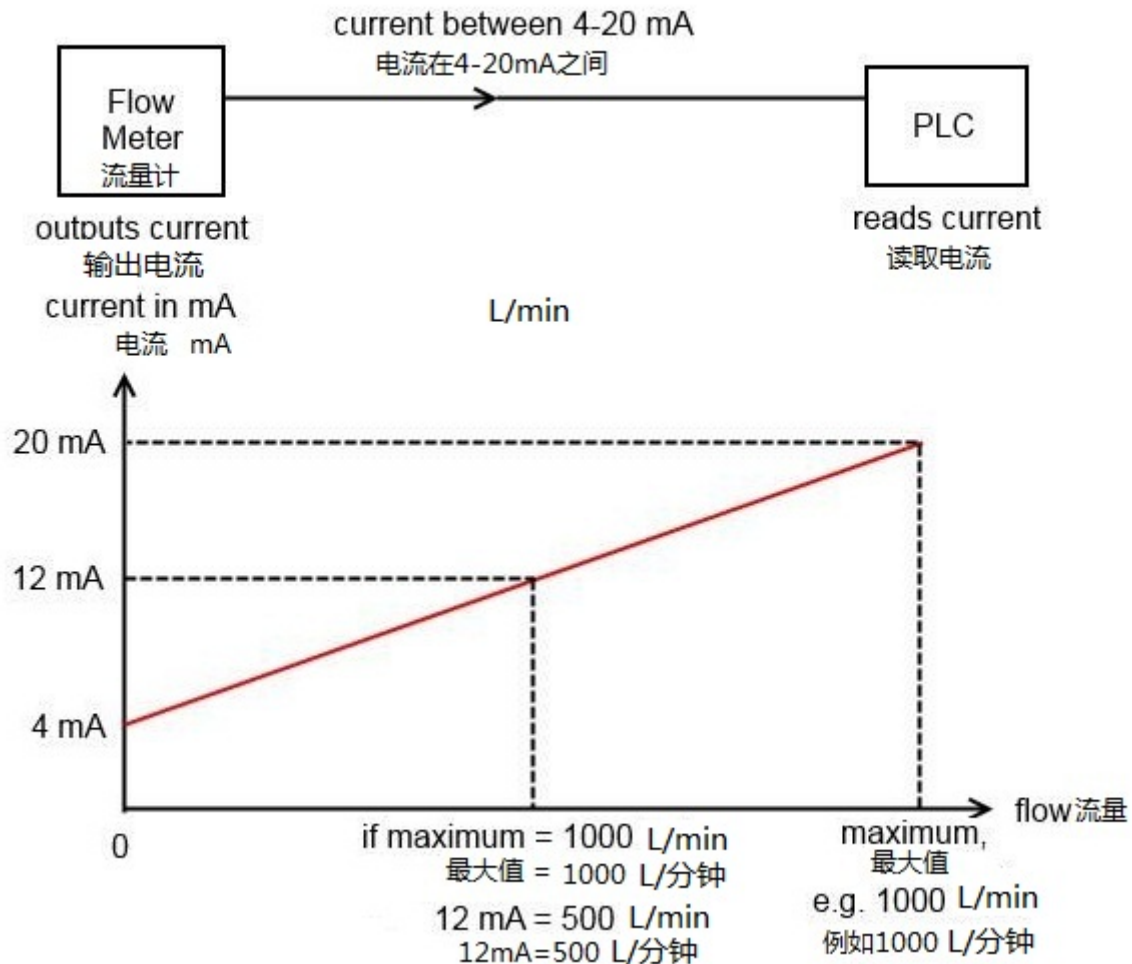


Flow Meter output signals

流量计输出信号

Analogue output 4-20 mA

模拟输出4-20 mA



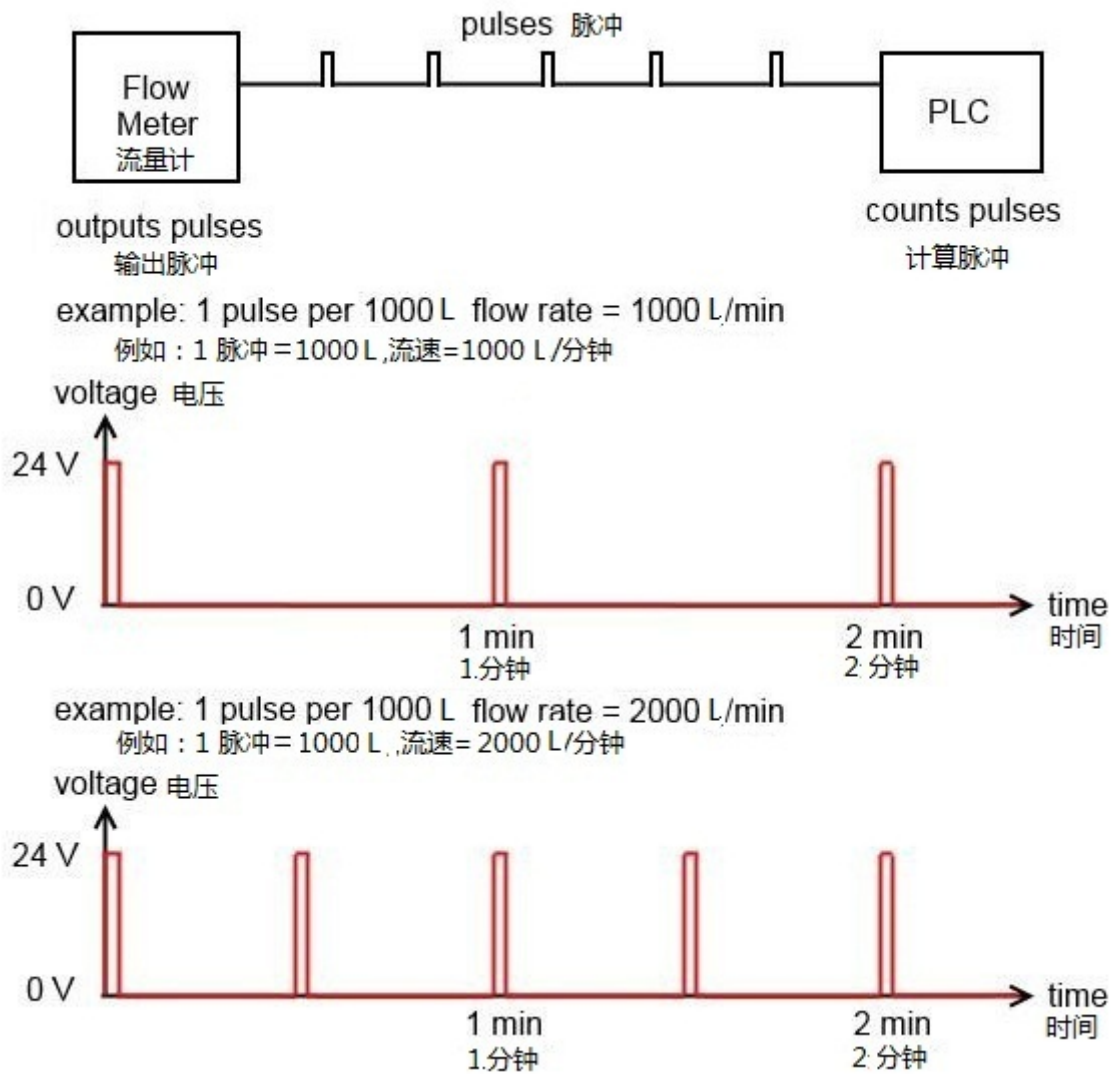
The 4-20 mA output is the most common output for flow meters. Other types work exactly the same way but aren't very common, for example 0-20 mA, 1-5 V (voltage instead of current), 2-10 V...

4-20 mA输出是流量计最常见的输出。其他类型的工作原理完全相同，但不是很常见，例如0-20 mA, 1-5 V(电压而不是电流), 2-10 V...

Some flow meters (FC01..., FC100...) enable the user to set a desired 20 mA value (for example 500 L/min, 5000 L/min or 10 m/s (only another unit – it works the same way)). Other flow meters have factory pre-set 20 mA values (FC50..., FC03)

一些流量计(FC01...,FC100...)允许用户设置所需的20mA值(例如500L/分钟,5000L/分钟或10m/s(只有另一个部件,它的工作原理一样))。其他流量计工厂预设值为20mA(FC50...,FC03)

Pulse output 脉冲输出



The pulse output is often used for consumption measurement (e.g. how much compressed air needs my machine per months?).

脉冲输出通常用于消耗的测量(例如, 我们的机器每月需要多少压缩空气?)

Some flow meters (FC01-CA..., FC100-CA..., FC50-CA...) enable the user to set the quantity per pulse (for example 500 L per pulse, 5 m³ per pulse (only another unit – it works the same way)). Other flow meters have factory pre-set quantities per pulse (FC04).

一些流量计(FC01-CA...,FC100-CA...,FC50-CA...)允许用户设置每个脉冲数量(例如500 L/脉冲,5 m³ 每脉冲(只有另一个部件,它的工作原理一样))。其他流量计每脉冲的值由工厂预设(FC04)。